

CDS & Associates Creates Technical Illustration within Record Time with Arbortext IsoDraw

CDS & Associates provides high-quality technical publication services, especially technical illustrating for small, family-owned companies and large aerospace & equipment manufacturers alike.

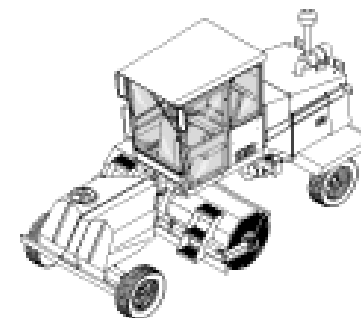
BUSINESS INITIATIVES

- Satisfy the most diverse requirements of their customers
- Meet deadlines, and fulfill industry standards, without compromising quality of illustrations

CDS & Associates, Inc.

SOLUTION

- Arbortext IsoDraw CADprocess to automate illustration process by creating high-quality illustrations from 3D CAD data, thus speeding graphics creation process



RESULTS

- Extruding geometry from flat planes (reuse 2D CAD data), creating gears/gear teeth and line art from photos--in record time
- Wide range of import/export formats processed a large variety of legacy data, and process graphic output in most common DTP and layout software applications
- Able to respond to customers' specific requirements at all times
- Create high quality illustration and save design time dramatically with Arbortext IsoDraw CADprocess

“We have championed Arbortext IsoDraw since it first entered the US market in the 1990s. The program has only improved over time and has significantly distanced itself from any real competition. It provides the professional quality our clients deserve.”

- Massimo Zennieri, President, CDS & Associates