

Arbortext[®] IsoView[®]

The Industry Standard Intelligent Graphics Viewer

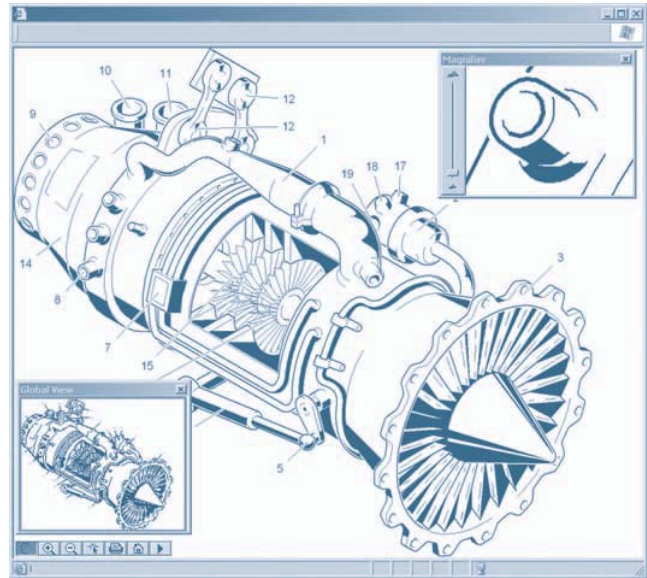
Enrich your technical publications by enabling readers to view and interact with embedded illustrations. Publish illustrations in multiple formats in an interactive environment that can be tailored and integrated with external applications.

Organizations increasingly rely on the Internet to communicate technical information to a wide variety of audiences. Most often, the posted documents are static, with equally static illustrations. However, technical publications become much more valuable—and much more readable—when users can interact with the graphical content. There is an increasing need to provide illustration tools that enable readers to zoom, rotate, or otherwise manipulate the illustrated content. Arbortext IsoView gives you that capability.

Arbortext IsoView, a key component of the PTC Arbortext product family of dynamic publishing software, is the industry's leading intelligent technical graphics viewer. Arbortext IsoView enables readers to view and interact with technical illustrations created by Arbortext IsoDraw, or other illustration tools.

Arbortext IsoView also supports all established industry standards, and is the de-facto industry standard viewer for CGM (Computer Graphics Metafile) files, mandated in a number of industries. Arbortext IsoView is commonly used to view and distribute, either via CD or over the Intra-/Internet, high-quality graphics in interactive electronic documents such as spare part catalogs, sales catalogs, or maintenance manuals.

Arbortext IsoView is available as an ActiveX Control for use within Internet Explorer, Visual Basic applications, and other compliant environments. It also provides an interactive environment that can be customized and integrated with external applications.



Arbortext IsoView enables readers to view and interact with technical illustrations.

Customer Benefits

Enhance Readability of Publications

- Provides high-quality display of technical graphics in an interactive electronic environment—like electronic parts catalogs, IETMs, etc.
- Enables readers to interact with published graphics (zoom, pan, etc.)

Lower Costs By Leveraging Both New and Legacy Illustrations

- Displays both vector and raster files from hybrid archives
- Integrates with existing enterprise systems and applications

Comply With Industry Standards

- The industry standard viewer for CGM files
- Compliant with major industry standards for technical illustrations

Key Features

Support Multiple Formats

Display and print multiple file formats, including CGM Version1-4, WebCGM, and major raster formats (TIFF, JPEG, PNG, BMP, PCX and CALS Raster).

Standards Support

Compliant with major technical illustration standards: S1000D, ASD, ATA iSpec 2200, etc.

Hotspots

Embed hotspots in graphics to improve readability and user experience.

High-Quality Display of Graphics

Anti-aliasing techniques guarantee fast, high-quality display of graphics.

Annotations to Graphics

Readers can add comments to graphics and export the information into the documentation workflow (redlining).

WebCGM Integration Toolkit

Arbortext IsoView includes the WebCGM Integration Toolkit, which provides access to the WebCGM DOM (Document Object Model) and the WebCGM XCF (XML Companion File) technologies. The WebCGM DOM is an API (Application Programming Interface) to WebCGM objects. It enables developers to manipulate WebCGM documents and access information found in XCF files. The XML Companion File Architecture allows applications to externalize non-graphical metadata, such as spare parts numbers, into a standard XML file.

Support for Raster Formats

Arbortext IsoView also allows organizations to display both vector and raster files. Raster formats currently supported are: TIFF, JPEG, PNG, BMP, PCX and CALS Raster.

Learn More

For more information about Arbortext IsoView and other Arbortext products, visit www.ptc.com/go/arbortextproducts